



# OHAUS VX Series

Standard Floor Scales and Platforms



VX Series Platform with T32XW indicator



VX Series shown with optional ramp



Counting function  
is not legal for trade

## Performance, Ruggedness, Ohaus Quality & Value

The OHAUS VX Series is a portable low-profile floor platform and indicator scale package. It is the ideal solution for freight consolidators, forwarders, processing plants, resellers, shipping and receiving departments, as well as startup businesses. Quick connects and factory calibration allows the package to operate out-of-the-box with minimal setup. This time saving solution combines a 5000d NTEP approved floor scale (VX2500L and VX5000L) with four analog sealed load cells, and a stainless steel NEMA 4X/IP65 indicator (T32XW) featuring an RS232 interface, high-visibility backlit LCD display, counting function and easy-to-operate positive feedback keys.

### Standard Features Include:

- 2,500 lb, 5,000 lb, and 10,000 lb scale capacities
- 4' x 4' and 5' x 5' platforms with structural bracing that ensures a rigid construction
- 3/16" (up to 5,000lb models) and 1/4" (10,000lb models) thick top plate with raised cross-hatch surface for added durability and slip resistance
- Four IP67 nickel plated alloy steel load cells
- Side access NEMA4X/IP65 dust and water protected junction box with 25' long cable
- Features eye bolt mounting holes to allow easier lifting and positioning of the platform
- Factory-wired and pre-calibrated with OHAUS T32XW stainless steel indicator featuring:
  - 304 stainless steel construction with NEMA 4X/IP65 protection
  - Backlit LCD display with high-visibility 1" high digits
  - Five weighing units (lb, kg, g, oz, lb:oz)
  - Piece counting mode for warehousing and inventory applications
  - Wall mount bracket included
  - Rechargeable lead acid battery operation

# VX Series Standard Floor Scales and Platforms

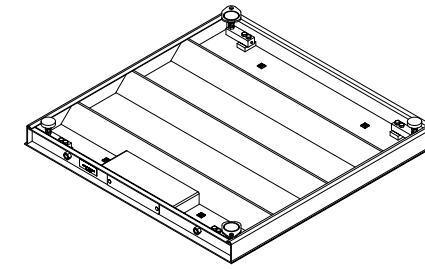
## VX Series Floor Scales Include The Durable T32XW Indicator

### T32XW Features:

- Large 1" high digit backlit LCD display quickly displays results in a choice of lb or kg. The power-on unit is selectable, and either the lb or kg unit can be turned off for easier use.
- Includes Counting Mode with a minimum Average Piece Weight of 1d, selectable sample sizes, automatic retention of last sample size used and Average Piece Weight. For installations where Counting Mode is not required, the parts counting software can be selected off.
- Built-in bidirectional RS232C interface for printing or connection to PC. Printing intervals can be set to manual (using Print key), continuous, on stable weight, or an interval between 1 second and 60 minutes.
- Geographical gravity correction software allows quick adjustment of calibration to local conditions without need for recalibration of the VX Floor Scale. All VX Floor Scales are factory calibrated and must be set to match local gravity situation.
- Durable membrane switch keypad with dedicated Print, Tare and Function keys for quick and easy operation
- The T32XW can be wall or table mounted using the included wall mount bracket for full tilt adjustment of the indicator.
- Software lockouts of menu operations for setup, readout, mode, unit and print menu options. In NTEP certified operation, certain menu options are automatically locked-out.

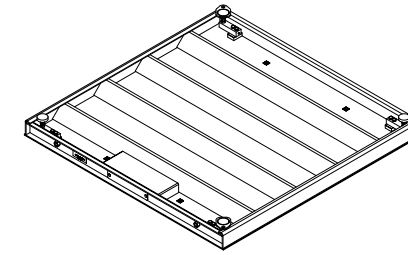


## OHAUS VX Series Floor Scale and Platforms Standard Features:



(up to 5,000 lb model)

Welded steel rib and thick top plate design provides structural stiffness



(10,000 lb model)



NEMA 4X/IP65 plastic Side-Access Junction Box with IP67 load cells limits effect of water on base



Painted tread plate platform top for added slip resistance



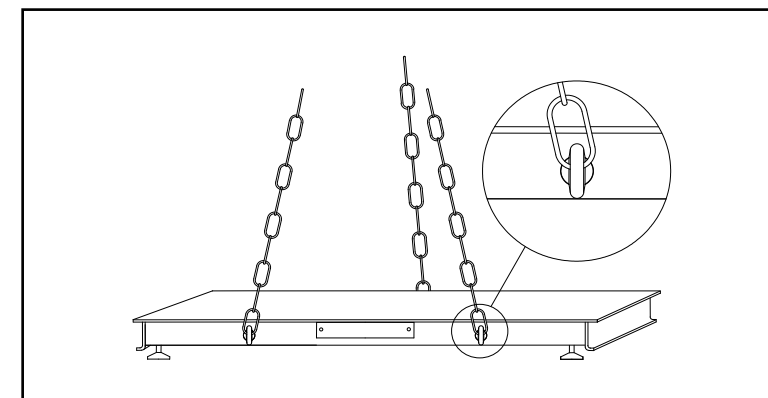
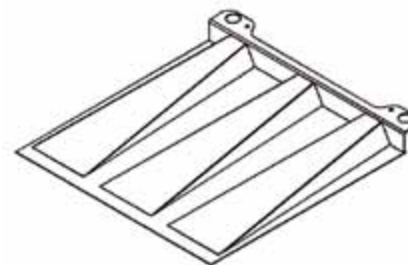
Fixed location foot mounting plates (set of two)

## Indicator Accessories

Description	OHAUS Number
Compact Dot Matrix Impact Printer.....	80252042
Compact Thermal Printer.....	80251992
Ohaus Collect Software.....	80500746
TAL Software WinWedge.....	SW12W
Paper for Printer, 80252042 (1 roll).....	80251932
Ribbon for Printer, 80252042.....	80251933
RS232 Cable & Adapter, 80252042	
Printer to T32XW.....	80252574
RS232 Cable, PC 9-pin to T32XW.....	80500552
RS232 Cable, PC 25-pin to T32XW.....	80500553

## Option

- Ramps  
4' or 5' wide



Features eyebolt (not included) mounting holes on sides to allow easier lifting and positioning



Ball-in-cup design feet attached to each loadcell

# VX Series Standard Floor Scales and Platforms

## Specifications

Platform Models	VX2500L	VX5000L	VX10000L	VX5000X	VX10000X
Dimensions	4' x 4' x 4.5" / 1,219 x 1,219 x 115 mm			5' x 5' x 4.5" / 1,524 x 1,524 x 115 mm	
Material	Painted Carbon Steel, treaded surface, fixed top plate, thickness 3/16" (up to 5000lb), 1/4" (10,000lb)				
Capacity x Readability	2,500 lb x 0.5 lb / 1,000 kg x 0.2 kg	5,000 lb x 1 lb / 2,200 kg x 0.5 kg	10,000 lb x 2 lb / 4,500 kg x 1 kg	5,000 lb x 1 lb / 2,200 kg x 0.5 kg	10,000 lb x 2 lb / 4,500 kg x 1 kg
NTEP Resolution	NTEP 5000d	NTEP 5000d	N/A	N/A	N/A
Maximum Central Load	100% of maximum capacity				
Safe End Load Capacity	100% of maximum capacity				
Load Cell	4 x Shear Beam, IP67, nickel plated alloy steel				
LC Output Impedance / Excitation Voltage	350 $\Omega$ $\pm$ 3 $\Omega$ / 10V recommended~15V max, AC/DC				
Junction Box	Side panel access, IP65 plastic case with 25' indicator cable				
Feet	4 x Ball-in-cup design, adjustable height				
Operating Temperature	50°F to 104°F / 10 °C to 40 °C				
Net Weight	220 lb / 100 kg		320 lb / 145 kg	340 lb / 154 kg	500 lb / 227 kg
Shipping Weight	300 lb / 136 kg		400 lb / 181 kg	420 lb / 191 kg	590 lb / 268 kg

Scale Models	VX32XW2500L	VX32XW5000L	VX32XW10000L	VX32XW5000X	VX32XW10000X
Indicator Model	T32XW				
Indicator Construction	304 stainless steel, NEMA4X/IP65 dust and water protection				
Weighing Units	lb, kg, oz, g, lb-oz				
Modes	Weighing, Counting* (min APW 1d)				
Display	1 in / 25 mm high, 6-digit, 7-segment, bright white backlit LCD				
Keypad	4-button, raised with tactile positive feedback membrane switches				
Stabilization Time	Within 2 seconds				
Auto-zero Tracking	Off, 0.5, 1 or 3d				
Zeroing Range	0%, 2% or 100% of capacity				
Span Calibration	5 lb or kg to 100% of capacity				
Interface	RS232C, bi-directional				
Power	100-240 VAC / 50-60 Hz, internal power supply				
Battery	Internal rechargeable sealed lead acid battery (58-hour operation on full charge)				
Indicator Dimensions	8.3 x 2.8 x 5.8 in / 212 x 71 x 149 mm				
Scale Shipping Dimensions (WxDxH)	60 x 48 x 14 in / 1,524 x 1,220 x 356 mm			72 x 60 x 14 in / 1,829 x 1,524 x 356 mm	
Scale Shipping Weight	330 lb / 150 kg		430 lb / 195 kg		450 lb / 204 kg
	615 lb / 279 kg				

\* Counting feature not NTEP certified

## Compliance

- **Safety and EMC:** EN60950, EN61326, FCC, CE, cUL<sub>US</sub>
- **Legal for Trade (Made from Certified weighing components):** NTEP: T32XW Indicator: CC 08-066A1 / VX Platform: CC 08-069 / Load cells: CC 91-043A4
- **Quality:** OHAUS quality management system registered to ISO 9001:2008

## OHAUS CORPORATION

\* 7 Campus Drive  
Suite 310  
Parsippany, NJ 07054 USA

Tel: 800.672.7722  
973.377.9000  
Fax: 973.944.7177

[www.ohaus.com](http://www.ohaus.com)

With offices throughout Europe,  
Asia, and Latin America

\* ISO 9001:2008  
Registered Quality Management System

80774469\_E © Copyright Ohaus Corporation

