

# Right the First Time

## Safe, Accurate, Service Friendly



### Tank Weighing

SWB505 MultiMount™ / SWB605 PowerMount™ weigh modules offer rugged construction and many features for easy installation and accurate and reliable tank weighing. Standard lift-off bolt copes with tipping forces while vertical safety down-stop provides additional safety.



### Conveyors and Mixers

Weigh modules are also designed for dynamic-loading applications such as conveyors, mixers and blenders. SWB505 MultiMount™ / SWB605 PowerMount™ provides 360° checking for ease of installation and maximum safety. The rocker pin restores the top plate to its ideal position to maintain accurate, repeatable weight.



### Load Cell

Both analog and POWERCELL® load cells have a rocker pin design that automatically aligns load forces for accurate weighing. These hermetically sealed load cells are rated IP68 and can be used in all environments. The load cells are easy to inspect or replace.



### Stabilizers

Up to two optional stabilizers can be applied to each weigh module to stabilize a scale subject to heavy vibration, high torque, or in-motion weighing. With stabilizers installed, thermal expansion is still possible, guaranteeing the best weighing performance.



### Predictive Diagnostics

SWB605 PowerMount™ monitors single load cells for overload, zero drift, foundation problems, etc.; prompting action before system shuts down or measures incorrectly.



SWB505  
MultiMount™  
(Analog)



SWB605  
PowerMount™  
(Digital)

### Right the First Time

SWB505 MultiMount™ and SWB605 PowerMount™ features ensure correct scale system installation, right from the start. Weigh modules do not compromise on safety – all safety features are built-in. The rocker pin design provides the highest level of weighing accuracy. Service features, including SafeLock™ provide easy and trouble free installation. Both feature:

- Integrated lift-off protection
- Vertical safety down-stop
- Full 360° integrated checking
- Ground strap – welding protection
- SafeLock™ – Weigh module locked for installation
- SafeLock™ – Load cell protected for installation
- Dual stabilizer option
- All load cells with IP68 and fully stainless steel
- Global approvals standard on each load cell
- OIML C3, NTEP 5K;
- OIML C6/C10, NTEP 10K (SWB605 PowerMount™)
- Zinc plated or stainless steel mounting hardware
- CalFree™: Calibration without test weights
- CalFree™ Plus: Precise calibration on a finger tip (SWB605)

# SWB505 MultiMount™/SWB605 PowerMount™ Specifications – Weigh Module

Weigh Module	unit of measure	Specification													
		SWB505 MultiMount™						SWB605 PowerMount™							
Model No.															
Size		1						2					3		
Rated Capacity	kg (lb)	5 (11)	10 (22)	20 (44)	50 (110)	100 (220)	200 (441)	300 (661)	110 (250)	220 (500)	550 (1250)	1100 (2500)	2200 (5000)	4400 (10000)	
Load Limit, safe <sup>9)</sup>	carbon steel	kg (lb)	7.5 (17)	15 (33)	30 (66)	75 (165)	150 (330)	300 (662)	450 (992)	165 (375)	330 (750)	825 (1875)	1650 (3750)	2980 (6700)	5920 (13300)
	stainless steel	kg (lb)												2350 (5160)	5200 (11700)
Load Limit, safe <sup>9)</sup> without load cell	kg (lb)	300 (675)						2200 (5000)					4400 (10000)		
Restoring Force <sup>5)</sup>	%A.L./mm (./in) <sup>3)</sup>	7.4 (190)						4.4 (111)					5.5 (140)		
Max. horizontal force	transverse <sup>6)</sup>	kN (lb)	3 (675)						7.5 (1685)					15 (3370)	
	longitudinal <sup>6)</sup>														
Max. horizontal force (longitudinal) per stabilizer option	longitudinal <sup>6)</sup>	kN (lb)	1.5 (337)						5 (1120)					7.4 (1660)	
	transverse	mm (in)	± 2.5 (0.10)						± 3 (0.12)					± 3.5 (0.14)	
Max. top plate travel	longitudinal														
	Max. Uplift Force <sup>8)</sup>	kN (lb)	3 (675)						11.1 (2500)					22.2 (5000)	
Weight (including load cell), nominal	kg (lb)	4 (8.8)						6.6 (14.5)					7 (15.4)	15.4 (34)	
Material		carbon steel / 304 stainless steel / 316 stainless steel													
Finish		Zinc Plated / Electropolished / Electropolished													

<sup>1)</sup> Error due to the combined effect of non-linearity and hysteresis

<sup>2)</sup> Typical values only. The sum of errors due to Combined Error and Temperature Effect on Sensitivity comply with the requirements of OIML R60 and NIST HB44

<sup>3)</sup> A.L. = Applied Load

<sup>4)</sup> See certificate for complete information

<sup>5)</sup> % of Applied Load (A.L.) per mm (in) displacement of the top plate (transverse & longitudinal)

<sup>6)</sup> Maximum horizontal force that can be applied to top plate

<sup>7)</sup> Maximum vertical uplift force that can be applied to the top plate

<sup>9)</sup> Maximum vertical downward force that can be applied to the top plate

# SWB505 MultiMount™ Specifications – Load Cell

Load Cell		unit of measure		Specification																					
Model No.		MTB								0745A															
Rated Capacity (R.C.)		5 (11)	10 (22)	20 (44)	50 (110)	100 (220)	200 (441)	300 (661)	110 (250)	220 (500)	550 (1250)	1100 (2500)	2200 (5000)	4400 (10000)											
Rated Output		mV/V @R.C.-kg								2 ± 0.002															
		mV/V @R.C.-lb								n/a															
Combined Error <sup>1) 2)</sup>		%R.C.								≤ 0.018															
Temperature Effect on	Min. Dead load Output	%R.C./°C (./°F)								≤ 0.001 (0.0006)															
	Sensitivity <sup>2)</sup>	%A.L./°C (./°F)								≤ 0.0009 (0.0005)															
Temperature Range	Compensated	°C (°F)								-10 ~ +40 (+14 ~ +104)															
	Operating	°C (°F)								-40 ~ +65 (-40 ~ +150)															
	Safe Storage	°C (°F)								-40 ~ +80 (-40 ~ +176)															
OIML / European Approval <sup>4)</sup>	Class	C3								C3															
	nmax	3000								3000															
	Vmin	g (lb)	0.8 (0.0018)	1.7 (0.0037)	4.2 (0.009)	8.3 (0.018)	16.7 (0.037)	25 (0.055)	20 (0.044)	50 (0.11)	100 (0.22)	200 (0.44)	400 (0.88)												
NTEP Approval <sup>4)</sup>	Class	IIIS / III M								III M															
	nmax	3000 / 5000								5000															
	Vmin	g (lb)	0.4 (0.0009)	0.8 (0.0018)	1.7 (0.0037)	4.2 (0.009)	8.3 (0.018)	16.7 (0.037)	25 (0.055)	20 (0.044)	50 (0.11)	100 (0.22)	200 (0.44)	400 (0.88)											
ATEX Approval <sup>4)</sup>	Rating	II 2 G Ex ib IIC T4								II 2 G Ex ia IIC T4 Gb															
		II 2 D Ex ibD 21 IP6X T135°C								II G Ex fb IIIC T100°C Db															
		II 3 G Ex nA II T4								II 3 G Ex ic IIC T4 Gc															
		II 3 G Ex nL IIC T4								II 3 G Ex nA IIC T4 Gc															
		II 3 D Ex tD A22 IP6X T135°C								II 3 D Ex tc IIIC T100°C Dc															
Entity Parameters	Ui=25V, Ii=600mA, Pi=1.25W, Ci=0.2nF/m, Li=1.0µH/m								Ui/Un=25V, Ii=600mA, Pi=1.25W, Ci=5nF, Li=30µH																
Number	3005885																								
Number, Canada	3025753C																								
Factory Mutual Approval <sup>4)</sup>	Rating	IS / I,II,III / 1 / ABCDEFG / T4								IS / I,II,III / 1 / ABCDEFG / T4															
		NI / 1 / 2 / ABCD / T6								NI / 1 / 2 / ABCD / T6															
		S / II,III / 2 / FG / T6								S / II,III / 2 / FG / T6															
Entity Parameters	Vmax=25V, Imax=600mA, Pi=1.25W, Ci=0, Li=0								Vmax=25V, Imax=600mA, Pi=1.25W, Ci=0, Li=29µH																
System Drawing No, USA	72184367								158574R																
System Drawing No, Canada	72189337								158574R, 42111392																
Excitation Voltage	Recommended	5-15																							
	Max.	20																							
Terminal Resistance	Excitation	Ω								≥ 383															
	Output	Ω								350 ± 1															
Material	Spring Element	stainless steel																							
	Type	welded																							
Protection	IP Rating	IP68, IP69K																							
	NEMA Rating	NEMA 6/6P																							
Load Limit	Safe	%R.C.																							
	Ultimate	150																							
Deflection @ R.C., nominal	mm (in)	0.30 (0.012)				0.40 (0.016)				0.50 (0.020)		0.75 (0.030)		0.07 (0.003)		0.14 (0.005)		0.23 (0.009)		0.34 (0.013)		0.52 (0.020)		0.62 (0.024)	
		0.6 (1.3)				0.9 (2)				1.3 (2.9)		2 (4.4)													
Weight, nominal	kg (lb)	0.6 (1.3)								0.9 (2)						1.3 (2.9)		2 (4.4)							
Cable Length	m (ft)	3, 5 (9.8, 16.6)								PU: 2, 3, 5, 10 (6.6, 10, 16.6, 33); FEP: 3, 5, 10 (10, 16.6, 33)															



# SWB605 PowerMount™ Specifications – Load Cell

Weigh Module		unit of measure	Specification																			
Model No.			POWERCELL® SLB615D <sup>10)</sup>																			
Rated Capacity (R.C.)		kg (klb) nominal	220 (500)				550 (1250)				1100 (2500)				2200 (5000)				4400 (10000)			
Sensitivity at R.C.		d @ R.C.	220'000				550'000				1'100'000				2'200'000				440'000			
Sensitivity Tolerance		ppm @ R.C.	±400	±200	±400	±200	±400	±200	±400	±200	±400	±200	±400	±200	±400	±200	±400	±200				
Effective System Update Rate (4 cells)		Hz	40																			
Temperature Range		Compensated	-10 to +40 (+14 to +104)																			
		Operating	-20 to +65 (-4 to +149)																			
		Safe Storage	-40 to +80 (-40 to +176)																			
OIML / European Approval (4)		Class	C3	C6	C10	C3	C6	C10	C3	C6	C10	C3	C6	C10	C3	C6	C10					
		nmax	3000	6000	10000	3000	6000	10000	3000	6000	10000	3000	6000	10000	3000	6000	10000					
		vmin	kg	0.025	0.01	0.05	0.025	0.1	0.05	0.25	0.1	0.5	0.25									
NTEP Approval (4)		Class	III M n:5	III M n:10	n/a	III M n:5	III M n:10	n/a	III M n:5	III M n:10	n/a	III M n:5	III M n:10	n/a	III M n:5	III M n:10	n/a					
		nmax	5'000	10'000	n/a	5'000	10'000	n/a	5'000	10'000	n/a	5'000	10'000	n/a	5'000	10'000	n/a					
		vmin	lb	0.050	0.025	n/a	0.100	n/a	0.250	n/a	0.500	n/a	1.000	n/a								
ATEX Approval (4)			II 3 G Ex nA IIC T6 Gc ; II 3 D Ex tc IIIC T85°C Dc IP6X																			
FM Approval, USA			Class I, II, III, Division 2, Groups C, D, F, G, Temperature Class T6																			
Supply Voltage Non-regulated		Typical	V DC 10-26																			
Overvoltage Protection		Max. Tested (IEEE4-95)	A 2000 (no outdoor lightning conditions)																			
Electromagnetic susceptibility		OIML R60	V/m 10																			
Material		Spring Element	stainless steel																			
		Enclosure	304 stainless steel, Electropolished																			
		Load Cell Cable (11)	Polyurethane, 11mm Connector, 21mm Branch Housing (200mm Distance to LC), Req. Conduit ≥12mm (0.5")																			
		Home-Run Cable (11)	Polyurethane, 6mm Jacket, 21mm Branch Housing (200mm Distance to LC), 4 Conductors, Internal Shield with Drain Wires, Req. Conduit ≥12mm(0.5")																			
		Connectors	Quick-Connect, Stainless Steel																			
Protection		IP Rating	IP68 (1m - 7 day submersion)																			
		NEMA Rating	NEMA 6P (submersible)																			

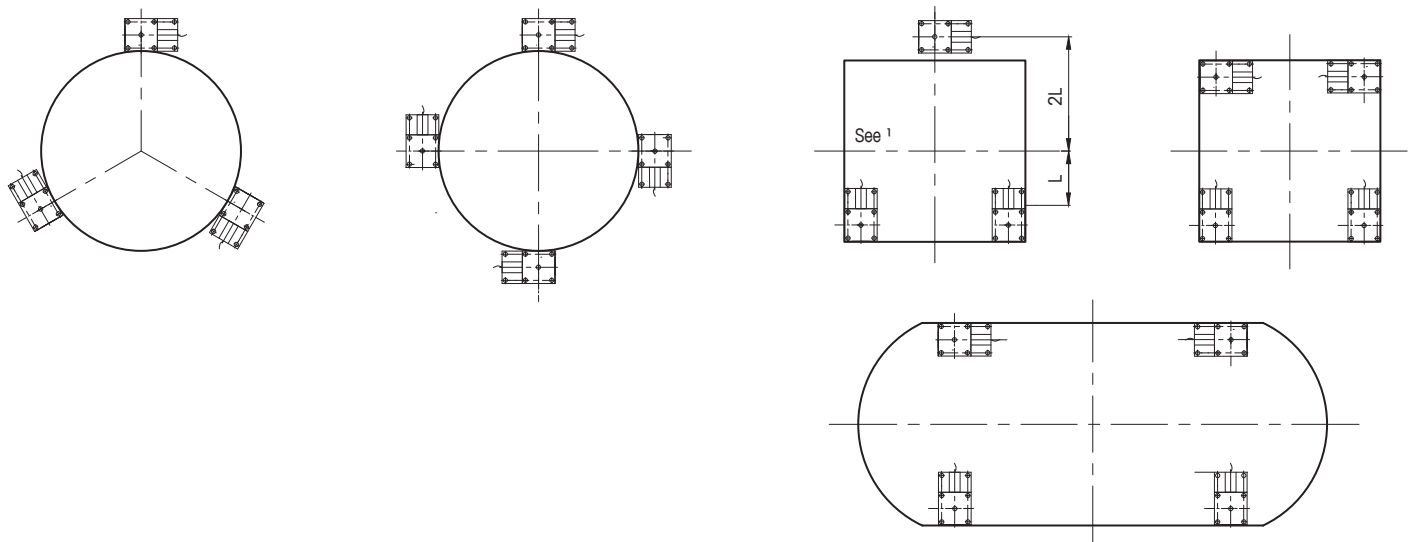
<sup>4)</sup> See certificate for complete information

<sup>10)</sup> Max. 14 load cells per terminal

<sup>11)</sup> Max. total cable length 90-300m depending on no. of LC and Terminal



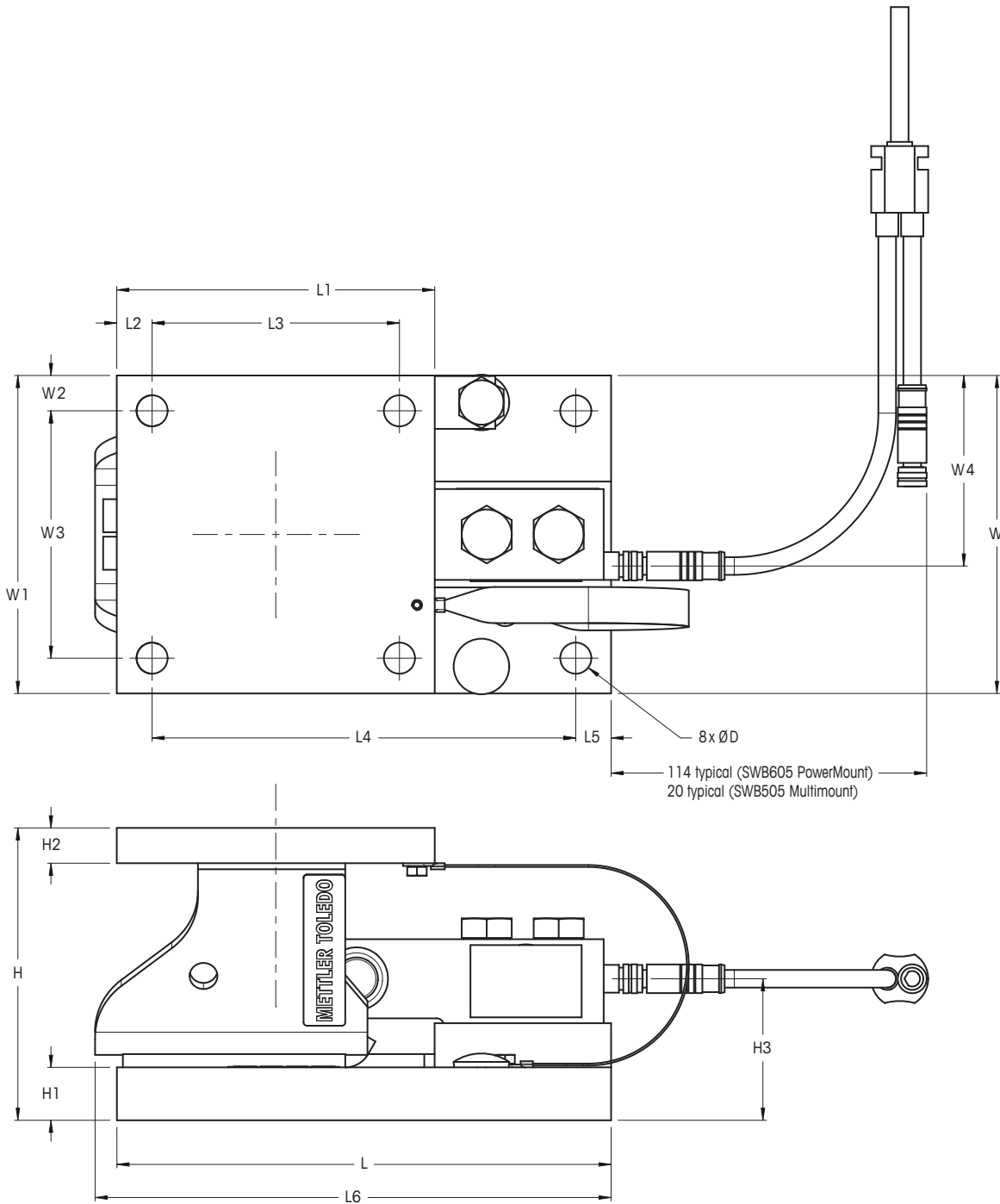
## SWB505 MultiMount™ / SWB605 PowerMount™ Weigh Module Arrangements<sup>2</sup>



<sup>1</sup> provide equal distribution, but the stability of this arrangement must be assured

<sup>2</sup> Weigh modules may be orientated as desired only if stabilizers will not be used

# SWB505 MultiMount™/SWB605 PowerMount™ Weigh Module Dimensions mm [inch]



Size	Capacity	Locations and Dimensions																		
		D	H	Hp <sup>1)</sup>	H1	H2	H3	L	L1	L2	L3	L4	L5	L6	W	W1	W2	W3	W4 (SWB505)	W4 (SWB605)
1	5 kg – 300 kg (11 lb – 600 lb)	10 (0.4)	83 (3.3)	108.4 (4.3)	12.7 (0.50)	8 (0.3)	41.0 (1.61)	165 (6.5)	102 (4.0)	10 (0.4)	82 (3.2)	145 (5.7)	10 (0.4)	-	102 (4.0)	102 (4.0)	10 (0.4)	82 (3.3)	60.0 (2.36)	
2	110 kg – 1.1 t (250 lb – 2.5 klb)	11.2 (0.44)	105.2 (4.14)	130.6 (5.14)	19.1 (0.75)	12.7 (0.50)	50.9 (2.00)	177.9 (7.00)	114.4 (4.50)	12.7 (0.50)	89.0 (3.5)	152.4 (6.00)	12.7 (0.50)	185.6 (7.31)	114.4 (4.50)	114.4 (4.50)	12.7 (0.50)	89.0 (3.5)	66.6 (2.62)	68.6 (2.70)
	2.2 t (5 klb)						51.3 (2.02)												70.6 (2.78)	70.6 (2.78)
3	4.4 t (10 klb)	17.5 (0.69)	136.6 (5.38)	162 (6.38)	25.4 (1.00)	19.1 (0.75)	70.3 (2.77)	235.0 (9.25)	152.4 (6.00)	25.4 (1.00)	101.6 (4.00)	184.2 (7.25)	25.4 (1.00)	-	152.4 (6.00)	152.4 (6.00)	25.4 (1.00)	101.6 (4.00)	92.6 (3.65)	92.6 (3.65)

<sup>1)</sup> Height when using thermal isolation pad or shock/vibration pad

## Order Information SWB505 MultiMount™ – Weigh Module including Load Cell

Weigh Module Assembly SWB505 MultiMount™ (including analog load cell MTB) Size 1	Zinc Plated	304 Stainless steel	316 Stainless steel
Weigh Module Assembly SWB505 Size 1, 5kg 0.05% - 3m	30040372	30040863	30040920
Weigh Module Assembly SWB505 Size 1, 10kg C3/III M n:5 -3m	30040373	30040864	30040921
Weigh Module Assembly SWB505 Size 1, 20kg C3/III M n:5 -3m	30040374	30040865	30040922
Weigh Module Assembly SWB505 Size 1, 50kg C3/III M n:5 -3m	30040375	30040866	30040923
Weigh Module Assembly SWB505 Size 1, 100kg C3/III M n:5 -3m	30040376	30040867	30040924
Weigh Module Assembly SWB505 Size 1, 200kg C3/III M n:5 -3m	30040861	30040868	30040925
Weigh Module Assembly SWB505 Size 1, 300kg C3/III M n:5 -3m	30040862	30040869	30040926

### Options SWB505 MultiMount™ Size 1

Stabilizer Size 1*, 5kg – 300kg	–	30040930	30040931
Dead Stand Size 1, 5kg – 300kg	–	30025909	30025913
Shock/Vibration Pad Size 1, 5kg – 300kg		30040932	
Thermal Isolation Pad 80°C Size 1, 5kg – 300kg		30040933	
Thermal Isolation Pad 170°C Size 1, 5kg – 300kg		30040935	

Weigh Module Assembly SWB505 MultiMount™ (including analog load cell 0745A) Size 2	Zinc Plated	304 Stainless steel	316 Stainless steel
Weigh Module Assembly SWB505 Size 2, 110kg/250lb 0.03% -5m (16.6ft)	61043206	61043215	61046391
Weigh Module Assembly SWB505 Size 2, 220kg/500lb C3/III M n:5 -5m (16.6ft)	61043207	61043216	61046392
Weigh Module Assembly SWB505 Size 2, 550kg/1250lb C3/III M n:5 -5m (16.6ft)	61043208	61043217	61046393
Weigh Module Assembly SWB505 Size 2, 1100kg/2500lb C3/III M n:5 -5m (16.6ft)	61043209	61043218	61046394
Weigh Module Assembly SWB505 Size 2, 2200kg/5000lb C3/III M n:5 -5m (16.6ft)	61043210	61043219	61046395

### Options SWB505 MultiMount™/SWB605 PowerMount™ Size 2

Stabilizer Size 2*, 110–2200 kg (250–5000 lb)	61046399	61046400	61046401
Dead Stand Size 2, 110–2200 kg (250–5000 lb)	61010624	61046402	61046403
Shock/Vibration Pad Size 2, 110–2200 kg (250–5000 lb)		61005965	
Thermal Isolation Pad 80°C Size 2, 110–2200 kg (250–5000 lb)		61010620	
Thermal Isolation Pad 170°C Size 2, 110–2200 kg (250–5000 lb)		61024642	
Adapter Conduit	61005937	61010683	–

Weigh Module Assembly SWB505 MultiMount™ (including analog load cell 0745A) Size 3	Zinc Plated	304 Stainless steel	316 Stainless steel
Weigh Module Assembly SWB505 Size 3**, 4400kg/10000lb C3/III M n:5 -10m (33ft)	61043211	61043220	61046396

### Options SWB505 MultiMount™/SWB605 PowerMount™ Size 3

Stabilizer Size 3*, 4400kg/10000lb	61046404	61046405	61046406
Dead Stand Size 3, 4400kg/10000lb	61010625	61046407	61046408
Shock/Vibration Pad Size 3, 4400kg/10000lb		61005938	
Thermal Isolation Pad 80°C Size 3, 4400kg/10000lb		61010621	
Thermal Isolation Pad 170°C Size 3, 4400kg/10000lb		61037510	
Adapter Conduit	61005937	61010683	–

**Bolded entries are stocked**

\* 1 or 2 per weigh module.



## Order Information SWB605 PowerMount™ – Weigh Module including Load Cell

Weigh Module Assembly SWB605 PowerMount™ (including digital load cell SLB615D) Size 2	Zinc Plated	304 Stainless steel	316 Stainless steel
Weigh Module Assembly SWB605 Size 2, 220kg/500lb C3/III M n:5	30090741	30090742	30090743
Weigh Module Assembly SWB605 Size 2, 550kg/1250lb C3/III M n:5	30090744	30090745	30090746
Weigh Module Assembly SWB605 Size 2, 1100kg/2500lb C3/III M n:5	30090747	30090748	30090749
Weigh Module Assembly SWB605 Size 2, 2200kg/5000lb C3/III M n:5	30090750	30090751	30090752
Weigh Module Assembly SWB605 Size 2, 220kg/500lb C6/III M n:10	30090753	30090754	30090755
Weigh Module Assembly SWB605 Size 2, 550kg/1250lb C6/III M n:10	30090756	30090757	30090758
Weigh Module Assembly SWB605 Size 2, 1100kg/2500lb C6/III M n:10	30090759	30090760	30090761
Weigh Module Assembly SWB605 Size 2, 2200kg/5000lb C6/III M n:10	30090762	30090763	30090764
Weigh Module Assembly SWB605 Size 2, 220kg/500lb C10	30096881	30096882	30096883
Weigh Module Assembly SWB605 Size 2, 550kg/1250lb C10	30096884	30096885	30096886
Weigh Module Assembly SWB605 Size 2, 1100kg/2500lb C10	30096887	30096888	30096889
Weigh Module Assembly SWB605 Size 2, 2200kg/5000lb C10	30096890	30096891	30096892

### Options SWB605 PowerMount™ Size 2

	Zinc Plated	304 Stainless steel	316 Stainless steel
Stabilizer Size 2*, 110–2200 kg (250–5000 lb)	61046399	61046400	61046401
Dead Stand Size 2, 110–2200 kg (250–5000 lb)	61010624	61046402	61046403
Shock/Vibration Pad Size 2, 110–2200 kg (250–5000 lb)	61005965		
Thermal Isolation Pad 80°C Size 2, 110–2200 kg (250–5000 lb)	61010620		
Thermal Isolation Pad 170°C Size 2, 110–2200 kg (250–5000 lb)	61024642		

Weigh Module Assembly SWB605 PowerMount™ (including digital load cell SLB615D) Size 3	Zinc Plated	304 Stainless steel	316 Stainless steel
Weigh Module Assembly SWB605 Size 3, 4400kg/10000lb C3/III M n:5	30090765	30090766	30090767
Weigh Module Assembly SWB605 Size 3, 4400kg/10000lb C6/III M n:10	30090768	30090769	30090770

### Options SWB505 MultiMount™/SWB605 PowerMount™ Size 3

	Zinc Plated	304 Stainless steel	316 Stainless steel
Stabilizer Size 3*, 4400kg/10000lb	61046404	61046405	61046406
Dead Stand Size 3, 4400kg/10000lb	61010625	61046407	61046408
Shock/Vibration Pad Size 3, 4400kg/10000lb	61005938		
Thermal Isolation Pad 80°C Size 3, 4400kg/10000lb	61010621		
Thermal Isolation Pad 170°C Size 3, 4400kg/10000lb	61037510		

### Cable Options SWB605 PowerMount™

Cable Kit 3 Load Cells, 5m (2 y-cables, 1x termination)	30765515
Cable Kit 3 Load Cells, 10m (2 y-cables, 1x termination)	30765516
Cable Kit 4 Load Cells, 5m (3 y-cables, 1x termination)	30765517
Cable Kit 4 Load Cells, 10m (3 y-cables, 1x termination)	30765518
Home Run Cable 5m	30765519
Home Run Cable 10m	30208862
Home Run Cable 15m	30765520
Home Run Cable 20m	30765521
Home Run Cable 30m	30095713
Home Run Cable 50m	30095714
Cable termination	30207923
Extension Cable 5m	30095636
Extension Cable 10m	30095637
Load Cell y-cable 5m	30765513
Load Cell y-cable 10m	30765514

**Bolded entries are stocked**

\* 1 or 2 per weigh module.

## Order Information SWB505 MultiMount™ – Weigh Module without Load Cell

- SafeLock™ allows to install weigh module hardware without load cell to avoid sensor damage
- Combine weigh module with special cable length and cable material
- Use weigh module with dummy load cell for level detection systems

Weigh Module Kit SWB505 (without load cell) Size 1	Zinc Plated	304 Stain- less steel	316 Stain- less steel	Suitable Load Cells MTB	
Weigh Module Kit SWB505 Size 1 5kg – 300kg	30040927	30040928	30040929	5kg -3m <b>71209934</b>	5kg -5m 72208033
				10kg C3/III M n:5 -3m <b>71209642</b>	10kg C3/III M n:5 -5m 72208034
				20kg C3/III M n:5 -3m <b>71201556</b>	20kg C3/III M n:5 -5m 72208035
				50kg C3/III M n:5 -3m <b>71201557</b>	50kg C3/III M n:5 -5m 72208036
				100kg C3/III M n:5 -3m <b>71201558</b>	100kg C3/III M n:5 -5m 72208037
				200kg C3/III M n:5 -3m <b>71201559</b>	200kg C3/III M n:5 -5m 72208038
				300kg C3/III M n:5 -3m <b>71201560</b>	300kg C3/III M n:5 -5m 72208039
				<b>Dummy Load Cell MTB 30025910</b>	

Weigh Module Kit SWB505 (without load cell) Size 2	Zinc Plated	304 Stain- less steel	316 Stain- less steel	Suitable Load Cells 0745A				Suitable Load Cells 0745A – FEP cable		
Weigh Module Kit SWB505 Size 2 110kg/220lb – 1100kg/2500lb	61043213	61043222	61046397	110kg -2m 30129790	110kg -3m 30129729	<b>110kg -5m</b> <b>30129791</b>	110kg -10m 30129792	110kg -3m FEP 30129793	110kg -5m FEP 30129794	110kg -10m FEP 30129795
				220kg -2m 30091034	220kg -3m 30129604	<b>220kg -5m</b> <b>30091046</b>	220kg -10m 30094384	220kg -3m FEP 42111204	220kg -5m FEP 30094412	220kg -10m FEP 30094432
				550kg -2m 30091038	550kg -3m 30129606	<b>550kg -5m</b> <b>30091050</b>	550kg -10m 30094388	550kg -3m FEP 42111224	550kg -5m FEP 30094416	550kg -10m FEP 30094436
				1100kg -2m 30091042	1100kg -3m 30129608	<b>1100kg -5m</b> <b>30091054</b>	1100kg -10m 30094392	1100kg -3m FEP 42111244	1100kg -5m FEP 30094420	1100kg -10m FEP 30094440
				<b>Dummy Load Cell 0745, 110kg – 1100kg 68000714</b>						
Weigh Module Kit SWB505 Size 2 2200kg/5000lb	61046636	61046637	61046638	2200kg -2m 30091026	2200kg -3m 30039031	<b>2200kg -5m</b> <b>30039033</b>	2200kg -10m 30094396	2200kg -3m FEP 30094404	2200kg -5m FEP 30094424	2200kg -10m FEP 30094444
<b>Dummy Load Cell 0745, 2200kg 61005963</b>										

Weigh Module Kit SWB505 (without load cell) Size 3	Zinc Plated	304 Stain- less steel	316 Stain- less steel	Suitable Load Cells 0745A				Suitable Load Cells 0745A – FEP cable		
Weigh Module Kit SWB505 Size 3 4400kg/10000lb	61043214	61043223	61046398	4400kg -2m 30091030	4400kg -3m 30039041	4400kg -5m 30039043	<b>4400kg -10m</b> <b>30094400</b>	4400kg -3m FEP 30094408	4400kg -5m FEP 30094428	4400kg -10m FEP 30094448
<b>Dummy Load Cell 0745, 4400kg 61005964</b>										



## Order Information SWB605 PowerMount™ – Weigh Module without Load Cell

- SafeLock™ allows to install weigh module hardware without load cell to avoid sensor damage
- Use weigh module with dummy load cell for level detection systems

Weigh Module Kit SWB605 (without load cell) Size 2	Zinc Plated	304 Stain- less steel	316 Stain- less steel	PowerCell SLB615D		
Weigh Module Kit SWB605 Size 2 110kg/220lb – 1100kg/2500lb	61043213	61043222	61046397	220kg C3/5K	220kg C6/10K	220kg C10
				72261196	72261209	72261204
				550kg C3/5K	550kg C6/10K	550kg C10
				72261197	72261210	72261205
1100kg C3/5K	1100kg C6/10K	1100kg C10				
				72261198	72261211	72261206
Dummy Load Cell 0745, 2200kg 61005963						
Weigh Module Kit SWB605 Size 2 2200kg/5000lb	61046636	61046637	61046638	2200kg C3/5K	2200kg C6/10K	2200kg C10
				72261199	72261212	72261207
Dummy Load Cell 0745, 2200kg 61005963						

Weigh Module Kit SWB605 (without load cell) Size 3	Zinc Plated	304 Stain- less steel	316 Stain- less steel	PowerCell SLB615D	
Weigh Module Kit SWB505 Size 3 4400kg/10000lb	61043214	61043223	61046398	4400kg C3/5K	4400kg C6/10K
				72261200	72261195
Dummy Load Cell 0745, 4400kg 61005964					

## SWB505 MultiMount™ Cable Colors MTB

Colour	Function
Green	+ Excitation
Black	- Excitation
White	+ Signal
Red	- Signal
Yellow	+ Sense
Blue	- Sense
Yellow	Shield

## SWB505 MultiMount™ Cable Colors 0745A

Colour	Function
Green	+ Excitation
Black	- Excitation
White	+ Signal
Red	- Signal
Yellow	Shield

## Home Run Cable PowerCell SLB615D

Colour	Function
Yellow	Shield
Blue	CAN_L
White	CAN_H
Red	+ V
Black	- V

### Full Connectivity

METTLER TOLEDO supplies various data communication interfaces that enable our sensors and instruments to communicate with your PLC, MES, or ERP systems.



## METTLER TOLEDO Service

Our extensive service network is among the best in the world and ensures maximum availability and service life of your product.

## Weighing Electronics

METTLER TOLEDO offers a complete family of electronics from simple weighing to application solutions for filling, stock control, batching, formulation, counting, and checkweighing.



Quality certificate ISO 9001  
Environment certificate ISO 14001

Subject to technical changes.  
© 01/2015 Mettler-Toledo AG  
Printed in Switzerland MTSI 44098436  
MarCom Industrial

[www.mt.com](http://www.mt.com)

Visit for more information